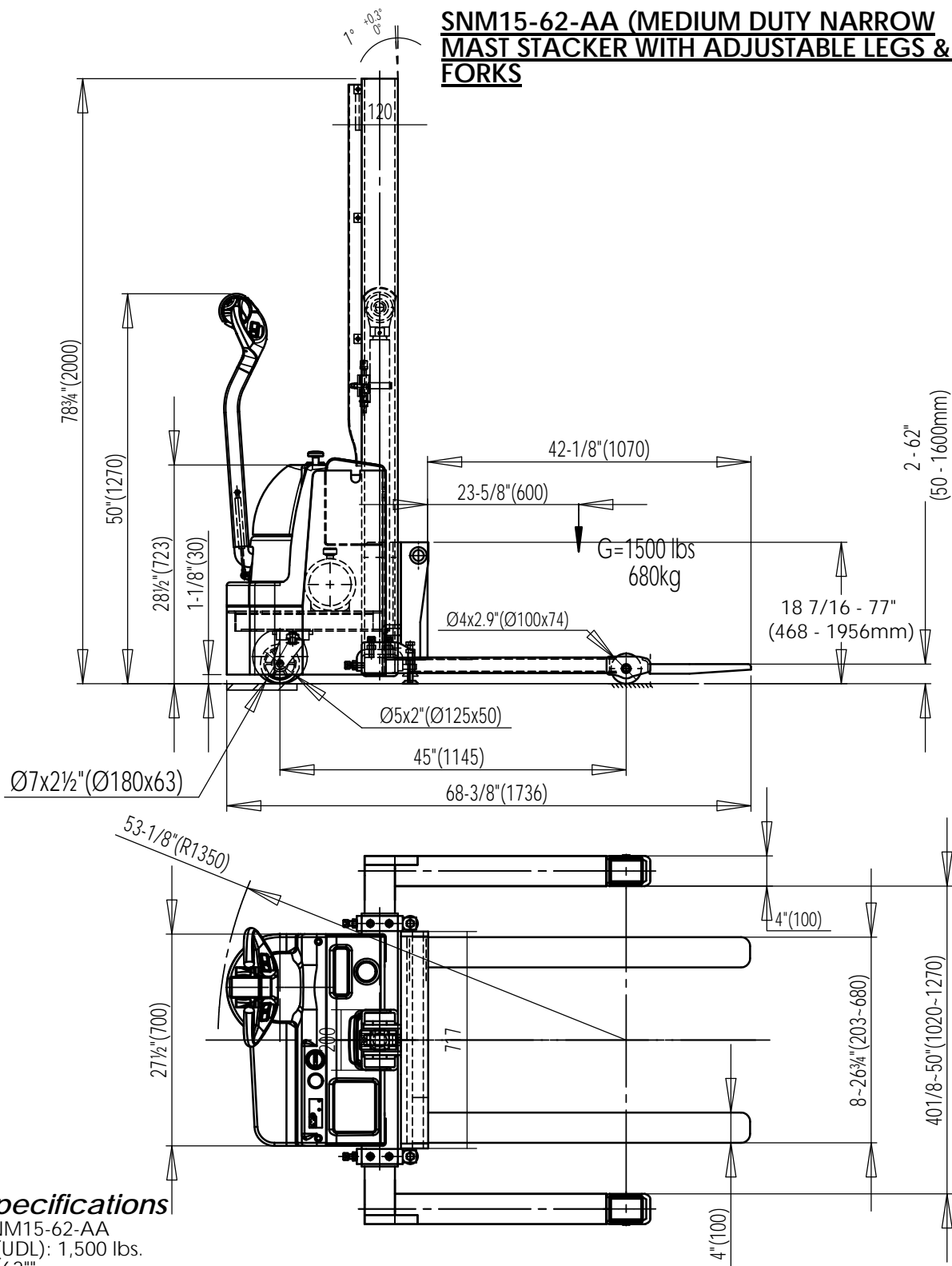


SNM15-62-AA (MEDIUM DUTY NARROW MAST STACKER WITH ADJUSTABLE LEGS & FORKS)



Specifications

Model #SNM15-62-AA
 Capacity (UDL): 1,500 lbs.
 Lift height: 62"
 Lowered height: 2"
 Adjustable Forks & adjustable legs
 Single Mast
 Safety Shield
 Overall mast height: 78"
 Drive wheel: Ø10 x 3"
 Front wheel: Ø4x 2.9"
 Stabilizer wheel: Ø3x1 13/32"
 Handle: CH-2
 Drive Motor: DC24V/0.4KW
 Lift Motor: DC24V/2.0KW
 Battery: 2x12V/80Ah
 Charger: DC24V/8A (Gen2 mini- (2) 4A banks)
 Travel Speed w/load: 1.24 m/h
 Travel speed w/o load: 1.86 m/h

VESTIL MANUFACTURING CORP.

Model: **SNM15-62-AA**

Descrip: **1,500 LBS NARROW MAST STACKER**

Design: T.M.

Date: 03/11/2014